

**ROKKER™ XT Series
7.25" Fairing Speaker Upgrade
Kit for 2006-2013 Harley®
Street/ Ultra/ Electraglide**

#HCRK-7252GTM-XTC

**Installation
Instructions**

Installation and Instructions

1. Remove the windshield and outer fairing shell completely.
2. Unplug the spade wire connectors on the back of each of the stock speakers.
3. Remove the three attachment screws from the back of each speaker and remove each speaker assembly from the fairing. Discard the speaker assemblies and the attachment screws.

Note: Do not re-use these screws as they are too long and will cause damage to your fairing.

4. Remove the remaining socket head bolts from both the left and right inner fairing support braces.

5. Assemble a J&M speaker grill and a J&M speaker adapter with the side of the adapter marked "TOP" positioned upward and the larger (mid-range) grill-mounted speaker pointing inward toward the radio. **(Fig. A&B)**

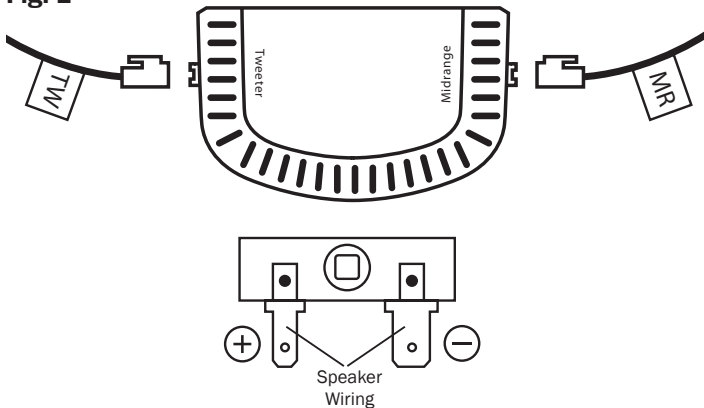
6. Using 3 of the 1 inch screws provided install the assembly into the fairing. Use 2 screws in the upper hole locations and 1 screw in the lower outer hole location. **(Fig. B) Note: Use 3 screws only per side. DO NOT install a screw in either of the lower inner hole locations. Permanent fairing damage will result.**

Important Note: There are two different styles of inner fairing support braces. **(Fig. C)** First determine which of the two styles you have, then continue with the remaining instructions for your particular style of support braces.

Early Style Fairing Support Brace

7. Using 4 of the short self-tapping screws provided, install a J&M 7.25" speaker onto the adapter with the speaker's crossover assembly and spade terminals pointing inward. **(Fig. D)**
8. Connect the wires from the grill mounted mid-range speaker and tweeter to the correct terminals of the crossover assembly mounted on the back of the 7.25" speaker. **(Fig. E)**
9. Then connect the terminals from the speaker wires of your audio system to the correct spade terminals on the back of the J&M speaker. **(Fig. E)**

Fig. E



10. Re-install the fairing support brace using the original socket head bolt and another of the short self-tapping screws provided. **(Fig. F)**

11. Repeat steps 5 through 10 for the opposite side speaker assembly.

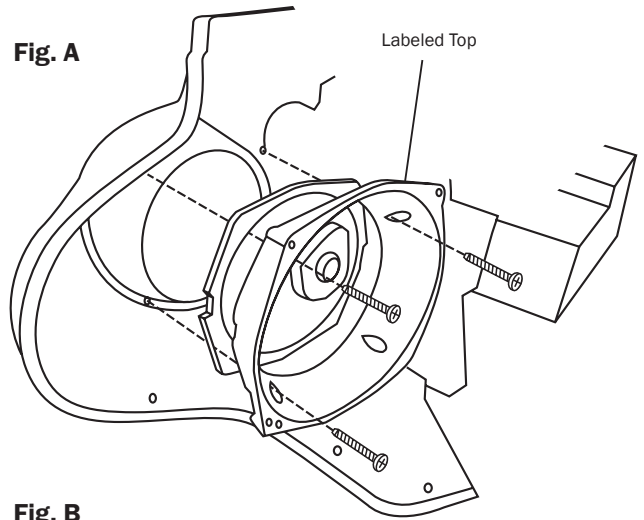


Fig. B

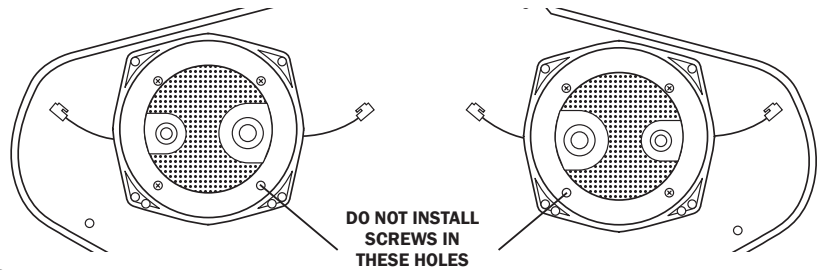


Fig. C

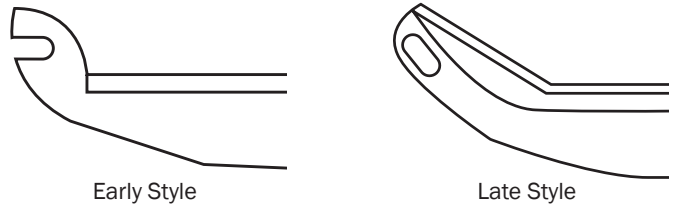


Fig. D

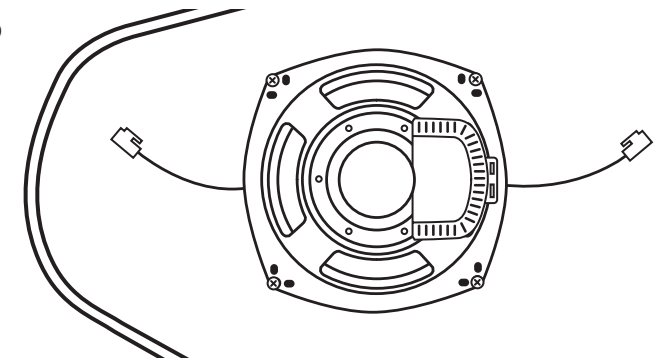
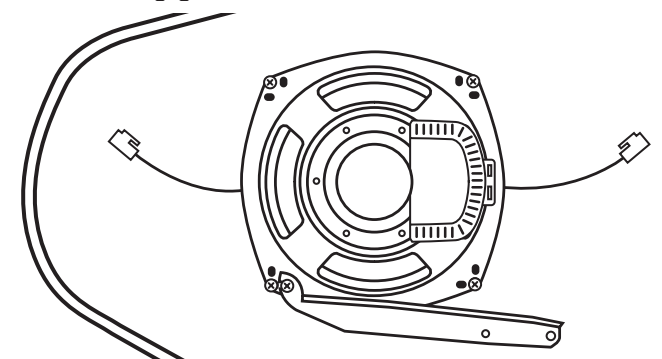


Fig. F



12. Install the included inside fairing shell acoustic pads (see instructions included with pads.)

13. Test each speaker for the proper operation before re-assembling the fairing, realizing that full sound quality and fidelity will NOT be heard until the outer fairing shell is completely re-installed.

Late Style Fairing Support Brace

7. Using 5 of the short self-tapping screws provided, install a J&M 7.25" speaker onto the adapter with the speaker's crossover assembly and spade terminals pointing inward. Include a fairing support brace adapter on the lower outer corner of the assembly (**Fig. G**)

8. Connect the wires from the grill mounted mid-range speaker and tweeter to the correct terminals of the crossover assembly mounted on the back of the 7.25" speaker. (**Fig. E**)

9. Then connect the terminals from the speaker wires of your audio system to the correct spade terminals on the back of the J&M speaker. (**Fig. E**)

10. Re-install the fairing support brace using the longer socket-head bolt and spacer, along with the 10-32 panhead screw provided. (**Fig. H**)

11. Repeat steps 5 through 10 for the opposite side speaker assembly.

12. Install the included inside fairing shell acoustic pads (see instructions included with pads.)

13. Test each speaker for the proper operation before re-assembling the fairing, realizing that full sound quality and fidelity will NOT be heard until the outer fairing shell is completely re-installed.

Fig. G

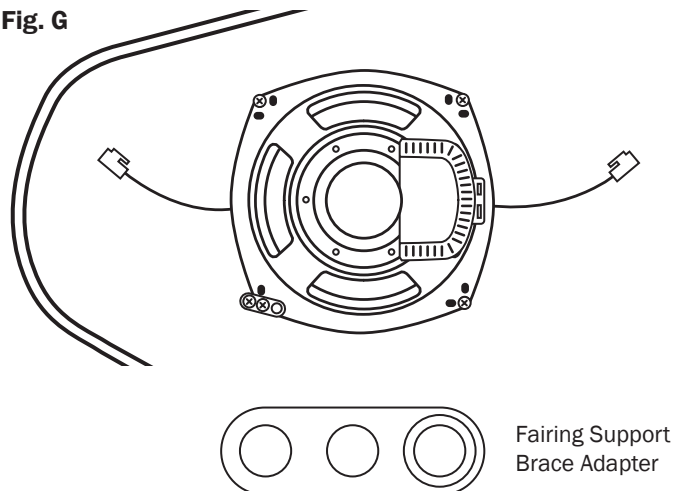
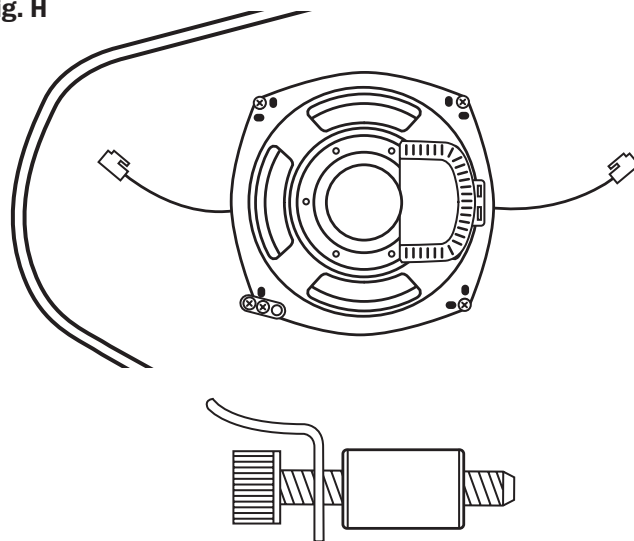


Fig. H



Thank you for the confidence you have shown in J&M Corporation by purchasing one of our innovative products.

If you have any question or comments about this product, you may contact us at USA 1-520-624-7000 Monday thru Friday, 8:00AM thru 5:00PM Mountain Standard Time.



1415 S. Cherry Avenue
Tucson, AZ 85713 U.S.A.
Tel (800) 358-0881
Website: <http://www.jmcorp.com>
E-mail: audio@jmcorp.com