

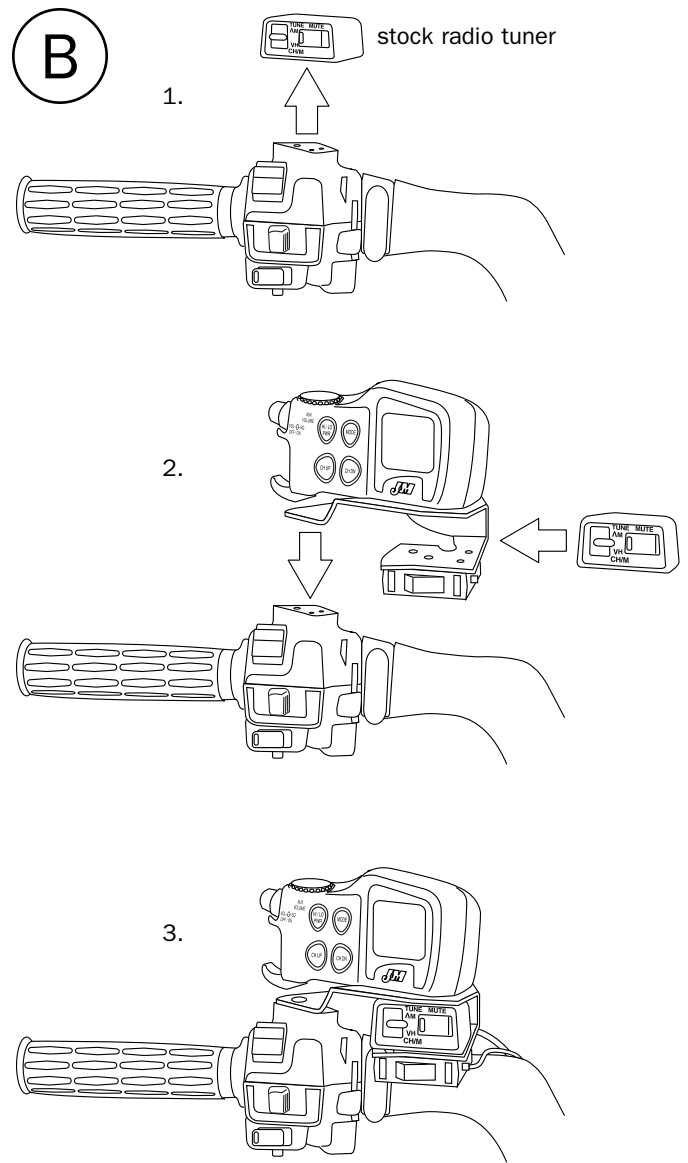
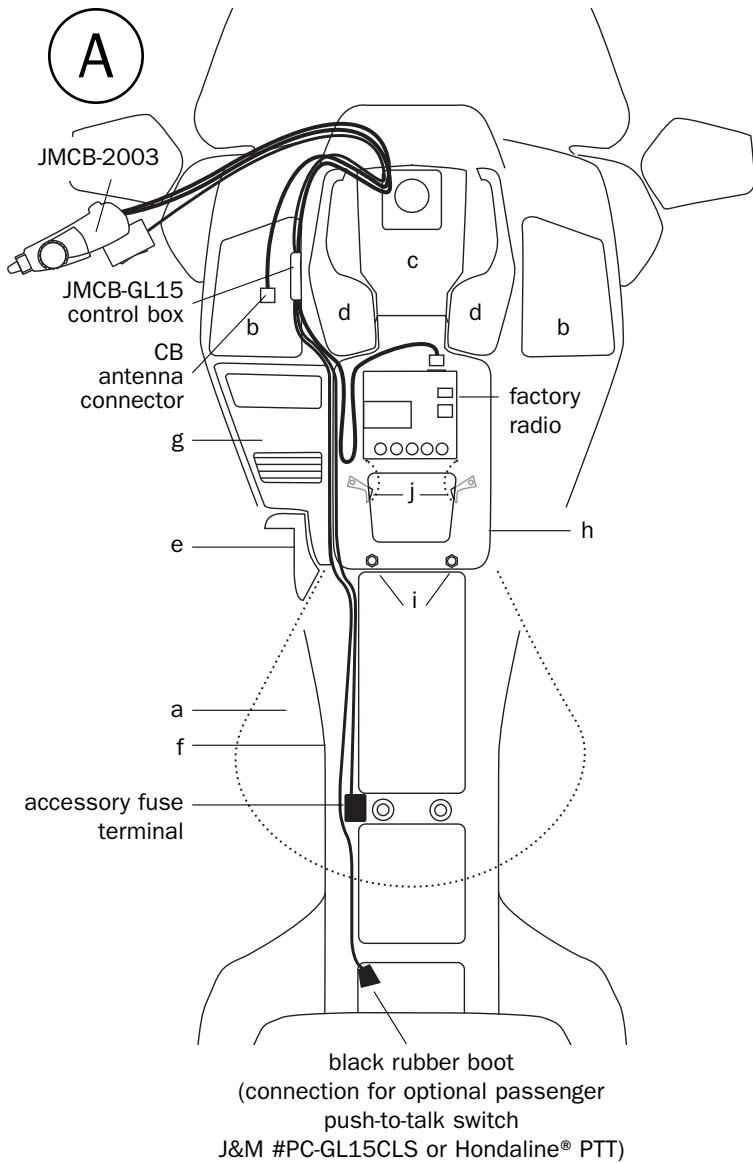
#JM CB-GL15

Installation/Integration Component Terminal

for the

Honda® GL-1500

Installation and Operation Instructions



Preparing the motorcycle for installation

▶ See Diagram A

1. Remove:
 - seat (a)
 - fairing pockets (b)
 - ignition switch cover (c)
 - top shelter covers (d)
 - left engine side cover (e)
 - left side cover (f)
 - left side shelter (g), including the reverse lever
2. Loosen the top shelter (h) by removing both 10mm acorn nuts (i) and moving the levers (j).

Mounting the CB and bracket

▶ See Diagram B

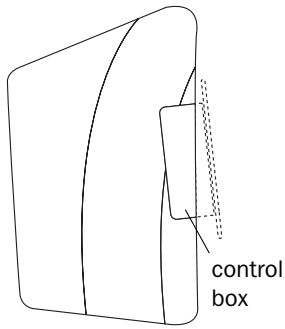
1. Remove the stock radio tuner control from the handlebar in order to relocate this control onto the CB bracket using the supplied flat head allen screw. Then mount the CB and bracket in place of the radio tuner, using the supplied pan head phillips screw, lock washer, and flat washer.
2. Route the wires down the handlebar following the stock wiring.

Mounting the JMCB-GL15 component (blue box)

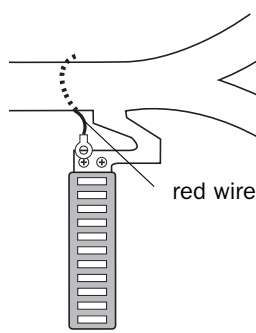
▶ See Diagram C

1. Clean with denatured alcohol the area where the control box will be mounted.
2. To mount the control box, remove the backing from the double-sided tape and press the control box into place.

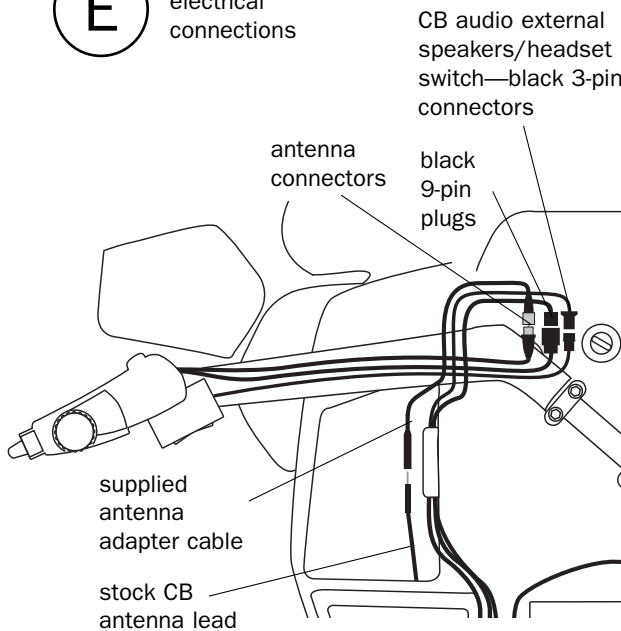
C inside left fairing pocket



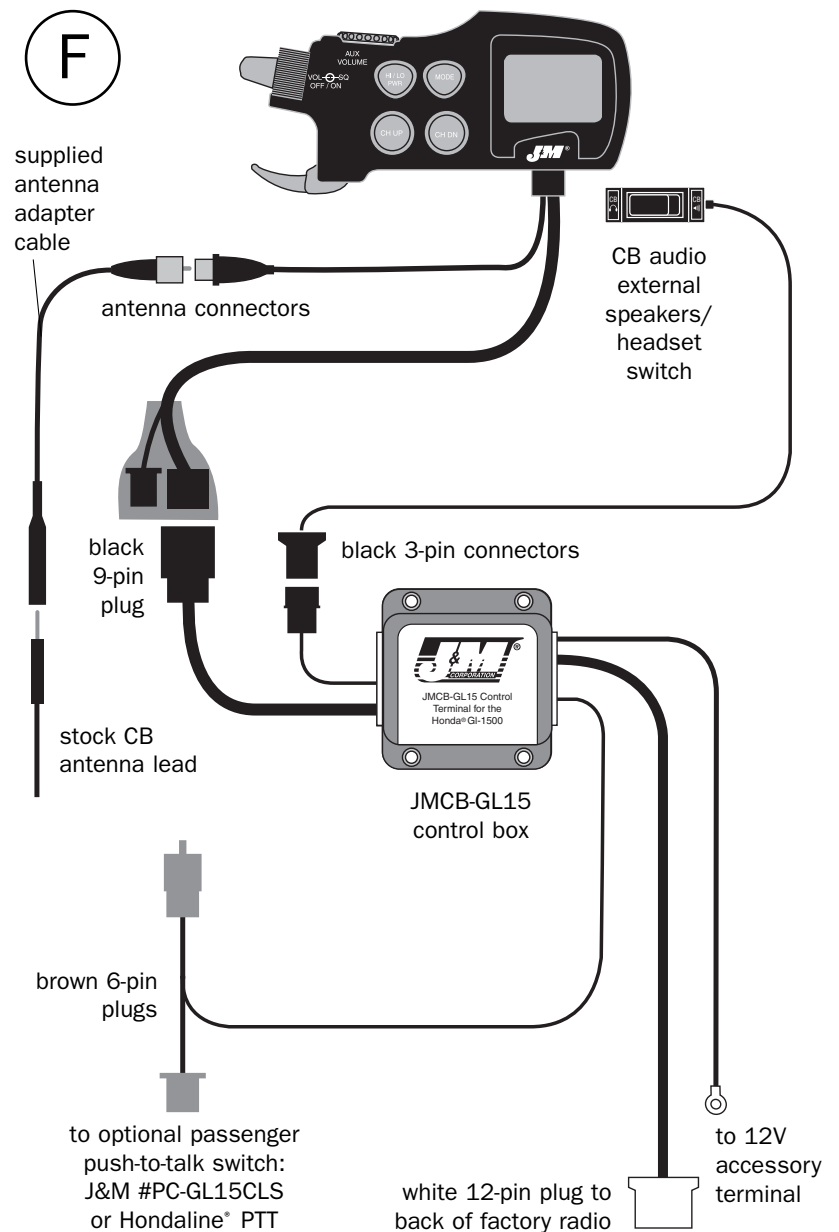
D accessory fuse terminal



E electrical connections



F



Electrical connections

► See Diagrams A, D, E and F

1. Route the red power wire from the blue control box to the accessory fuse terminal and connect the wire to the (+) positive side of the accessory fuse terminal.
2. Route the cable with the brown 6-pin plugs from the blue control box to the rear of the motorcycle and plug into the brown 6-pin plug in the black rubber boot (Diagram A). If you already have installed either the Hondaline® passenger push-to-talk switch or the J&M #PC-GL15CLS, the brown 6-pin plugs from the control box will plug in between the 6-pin plug in the black rubber boot and the passenger push-to-talk switch.
3. (Diagram F) Connect the supplied antenna adapter to the existing stock antenna lead and the JMCB-2003.
4. (Diagrams E and F) Route the three cables from the JMCB-2003 down the underside of the handlebar with the stock wiring to the ignition switch area. From the blue control box route the cable with the black 3-pin connector and the cable with the black

9-pin plug also to the ignition switch area. Make the connections.

5. (Diagrams A and F) Route the harness with the white, 12-pin connector from the left fairing pocket along with the stock wiring harness to the factory radio and plug into the connector on the back of the factory radio (top, right connector).
6. Zip tie all the cables securely in place.

Reassemble motorcycle

► See Diagram A

1. Replace in the reverse order of removal:
 - top shelter (h) by replacing both 10mm acorn nuts (i) and moving the levers (j)
 - left side shelter (g), including the reverse lever
 - left side cover (f)
 - left engine side cover (e)
 - top shelter covers (d)
 - ignition switch cover (c)
 - fairing pockets (b)
 - seat (a)

Operation

1. Turn the ignition switch to the ACC or RUN position.
2. Turn on the JMCB-2003 radio.
3. Select either the headset or the fairing speakers using the control switch mounted on the handlebar mounting bracket.
4. Turn the squelch knob clockwise until you hear the CB static noise over either the headset speakers or the fairing speakers.
5. Adjust the volume to a comfortable level and then turn the squelch knob counterclockwise until the CB static noise is muted.
6. To transmit over the JMCB-2003, depress the driver's push-to-talk switch (or the passenger's, if so equipped). Note: The music will be interrupted during CB transmission.
7. To select the weather mode, depress the mode button on the JMCB-2003 and choose the weather station in your area. (See the enclosed NOAA frequency list.)

Note: The JMCB-2003 is equipped with a system lock to prevent changing channels or modes accidentally. To lock the CB, depress and hold the HI/LO PWR button down for three seconds. To unlock the CB, depress and hold the HI/LO PWR button down again for three seconds.

Note: The JMCB-2003 has a built-in intercom that is not used when it is connected to the stock GL1500 radio system. This intercom should be turned off by pulling out on the ON/OFF VOL knob and turning it fully counterclockwise, then returning the knob to the inward position.

Thank you for the confidence you have shown by purchasing one of J&M's innovative products. If you have any questions during installation, or require further assistance, you may call us at 1-800-358-0881 from 8:00 a.m. to 5:00 p.m. Mountain Standard Time, Monday through Friday.



Tucson, Arizona U.S.A.
(800) 358-0881
www.jmcorp.com
audio@jmcorp.com