

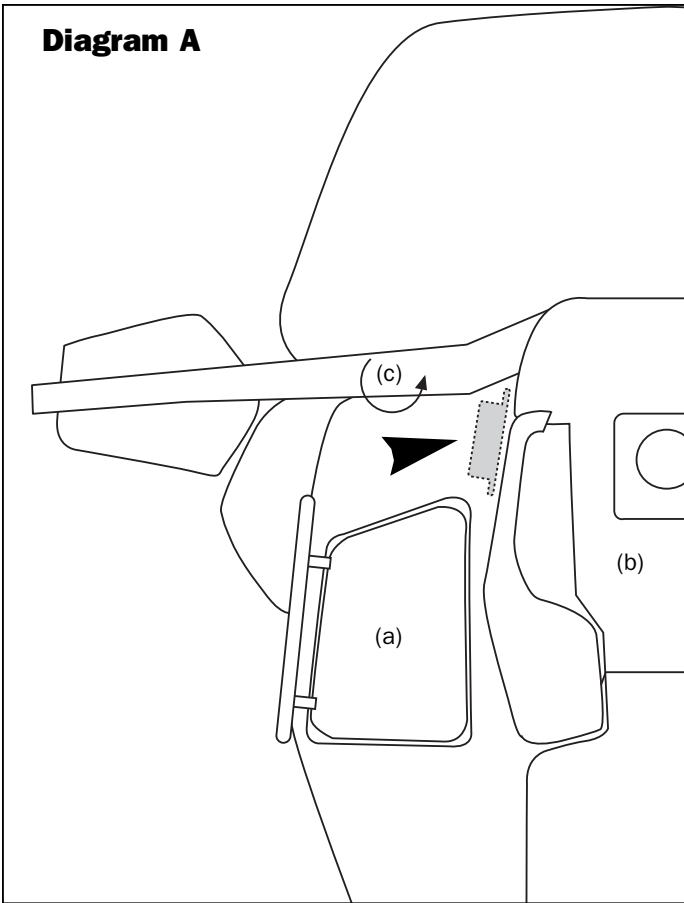
#CFRG-GL18

**Cellular Telephone/GPS/
Radar Detector**

**Audio Integration Terminal
for the Honda® GL-1800**

Installation and Operation Instructions

Diagram A



Installing the telephone/radar override box

► Diagram A

1. Remove:
 - left fairing pocket (a)
 - ignition switch cover (b)
 - wiring coverplate under left handlebar (c)
2. Clean the surface inside the left fairing pocket mounting area with denatured alcohol.
3. Remove the backing from the double-sided mounting tape and mount the override unit as per the diagram.

Mounting the rocker control switch

► Diagram B

1. Mount the bracket by removing the stock handlebar/clutch assembly screws, one at a time, replacing them with the longer screws, washers and spacers that are provided.

NOTE: Removal of both screws at the same time disassembles the handlebar/clutch assembly, which is neither necessary nor desirable.

2. Route the wire from the rocker control switch down the handlebar with the stock wiring and plug into the lead from the intergration terminal. See Diagram C.
3. Replace the wiring coverplate under the left handlebar.

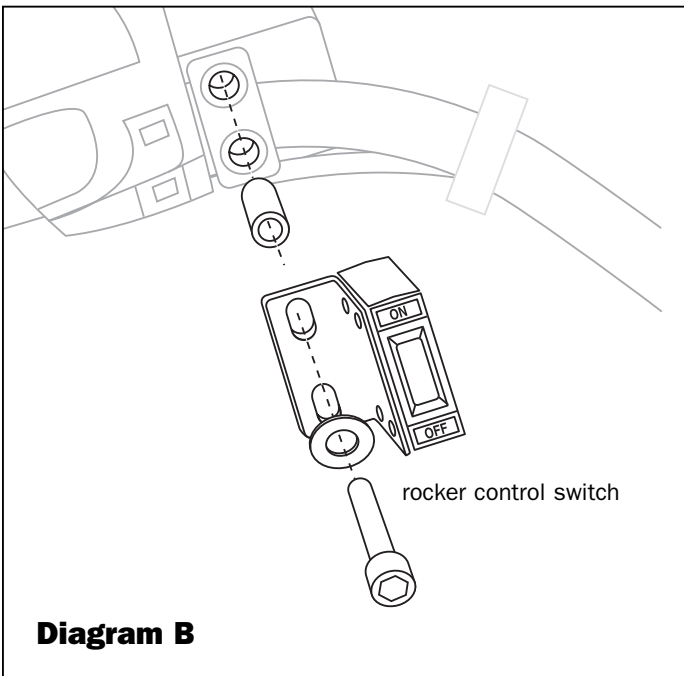


Diagram B

► Diagram C

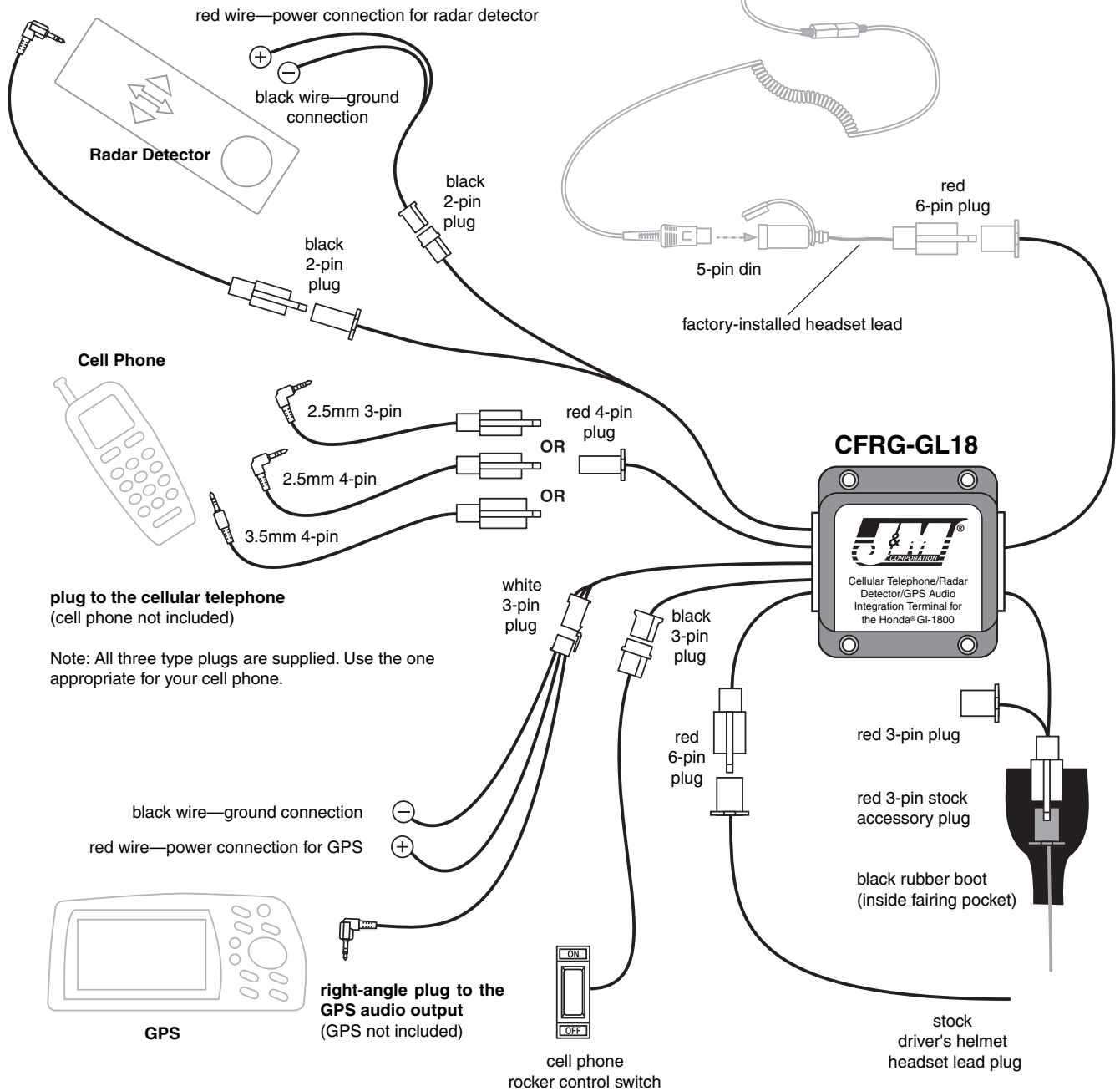
1. Make electrical connections per Diagram C.

Diagram C

right-angle plug to the radar detector (radar detector not included)

Note: Make sure that the radar detector you intend to use has an external audio output jack. If it does not have a factory-installed external speaker jack, you will need to purchase a custom J&M Radar Harness Adapter.

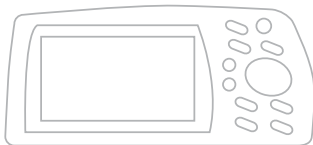
driver's helmet headset
(not included)



plug to the cellular telephone (cell phone not included)

Note: All three type plugs are supplied. Use the one appropriate for your cell phone.

black wire—ground connection
red wire—power connection for GPS



right-angle plug to the GPS audio output
(GPS not included)



cell phone rocker control switch

Operation—Cell Phone

The audio system on your motorcycle will function exactly as it did before you installed the cellular telephone/GPS/radar detector audio integration terminal kit.

Any audio signal produced by the telephone—the phone ringing (if your cell phone rings when connected to a hands-free headset), the use of keypad buttons, or other tone-causing uses of the telephone—will now also be heard briefly in one of the driver's helmet headset speakers.

To answer the telephone or to initiate a call, press the SEND button on the cellular telephone (or set the cell phone to auto answer and/or voice command dialing mode.) Immediately after doing so, press the handlebar-mounted rocker switch to the ON position to connect both speakers and the microphone of the driver's helmet headset directly to the cellular telephone for hands-free operation.

When you have completed your call, return the handlebar rocker switch to the OFF position. This will terminate the call and return your helmet headset to the motorcycle audio system.

Set the ring and tone levels on your cellular telephone to the minimum level until a comfortable helmet headset volume has been established.

Operation—Radar/GPS Audio

Whether the phone is in use or not, the sound from the radar detector and/or GPS will be heard in the driver's other helmet speaker.

The volume knobs on the radar detector and GPS units will control the volume level of these components into the driver's helmet headset.

Noise and Interference

Motorcycle audio systems by their very nature are noisy. While we do not guarantee this system to be completely free from electrical noises and interference, we have taken many steps to achieve that goal: the power supply system is well filtered, the unit is shielded in its metal container, and the cables associated with the unit are shielded.

Power requirements: 11-16 volts DC negative ground

Minimum speaker impedance: 32

Typical current draw: 1.5 amps

Thank you for the confidence you have shown by purchasing one of J&M's innovative products. If you have any questions during the installation, or require further assistance, you may call us at 1-800-358-0881 from 8:00 a.m. to 5:00 p.m. Mountain Standard Time, Monday through Friday.

J&M Corporation

Tucson, Arizona, U.S.A.

Tel (800) 358-0881

Website: <http://www.jmcorp.com>

E-mail: audio@jmcorp.com

